

**TEST REPORT****EN 207:2017****Personal eye-protection equipment — Filters and eye-protectors against laser radiation (laser eye-protectors)**

Report Number.....: CTG2504100088B-SR426AX

Tested by (name + signature).....: Iverson Chen

Reviewed by (name + signature).....: Alan Li

Approved by (name + signature).....: Aaron Zhai



Date of issue.....: Apr.10,2025

Testing Laboratory.....: Shenzhen CTG Testing Co., LTD.

Address.....: 3F, Yongxing Plastic Plant, No. 11 Waihuan Road, Shiyan street, Bao'an District, Shenzhen, China

Applicant's name.....: KEC-TECH LTD

Address.....: Xuesheng Industry a101, Yanluo Street Hongqiaotou Area, Baoan District, Shenzhen, China

Test specification:

Standard.....: EN 207:2017

List of directives.....: PPE directive 2016/425/EU

Test procedure.....: Test report

Non-standard test method.....: N/A

Test item description.....: Laser goggles

Trade Mark.....: niceeem

Manufacturer.....: Same as applicant

Model/Type reference.....: TC-YJ-029/2913

Additional model.....: TC-YJ-029/2913

Ratings.....: /

Test sample(s) received.....: Apr.02,2025

Test in period.....: Apr.02,2025 to Apr.10,2025



SHENZHEN CTG TESTING CO.,LTD.

Address: Yongxing Plastic Plant, No.11, Waihuan Road, Shiyan Street, Bao'an District Shenzhen, Guangdong, china

Email: services@ctg-cert.com

Website: www.ctg-cert.com



Test judgement terms:	
Possible test case verdicts:	
- test case does not apply to the test object:	N/A
- test object does meet the requirement..... :	P (Pass)
- test object does not meet the requirement:	F (Fail)
testing environment:	
temperature	15-25℃
Humidity.....	50-65%RH
Pressure.....	101kPa
General remarks:	
<ol style="list-style-type: none"> 1. The report is invalid without "special test seal". 2. If the report is not tested, the signature of the approving personnel is invalid. 3. The report is invalid if altered. 4. This report may not be partially reproduced without permission. 5. The test results in this report are only valid for the tested samples. 6. Objections to this report should be raised within 15 days of receipt of the report. 	
General remarks:	
<p>This report shall not be reproduced except in full without the written approval of the testing laboratory.</p> <p>The test results presented in this report relate only to the item(s) tested.</p> <p>"(see remark #)" refers to a remark appended to the report.</p> <p>"(see Annex #)" refers to an annex appended to the report.</p>	
General product information: The series products have the same circuit diagram, PCB layout and functionality. The differences are the model name, so, we select TC-YJ-029/2913 to test.	
Copy of marking plate:	
<div style="border: 1px solid black; padding: 10px; width: fit-content; margin: 0 auto;"> <p>Laser goggles</p> <p>Model: TC-YJ-029/2913</p> <p>    </p> <p>KEC-TECH LTD MADE IN CHINA</p> </div>	





	$I^* = 0,50 \frac{\text{cd} / \text{m}^2}{\text{lx}}$		
	$\left \frac{\Delta \tau_v}{\tau_v} \right \leq 10 \%$		
	$\left \frac{\Delta \tau_v}{\tau_v} \right \leq 5 \%$		



SHENZHEN CTG TESTING CO.,LTD.

Add:3/f, Yongxing Plastic Plant, No.11. Waihuan Road, Shiyan Street, Bao'an District Shenzhen, Guangdong, china

Email:services@ctg-cert.com

Website:www.ctg-cert.com





SHENZHEN CTG TESTING CO.,LTD.

Add:3/f, Yongxing Plastic Plant, No.11. Waihuan Road, Shiyan Street, Bao'an District Shenzhen, Guangdong, china

Email:services@ctg-cert.com

Website:www.ctg-cert.com



	<p>630-700 DR LB8 X S</p> <p>Wavelength range for which the eye-protector gives protection</p> <p>Test condition in accordance with Table 4</p> <p>Scale number in accordance with Table 1</p> <p>Manufacturer's identification mark</p> <p>Mechanical strength symbol</p>		



SHENZHEN CTG TESTING CO.,LTD.

Add:3/f, Yongxing Plastic Plant, No.11. Waihuan Road, Shiyan Street, Bao'an District Shenzhen, Guangdong, china

Email:services@ctg-cert.com

Website:www.ctg-cert.com

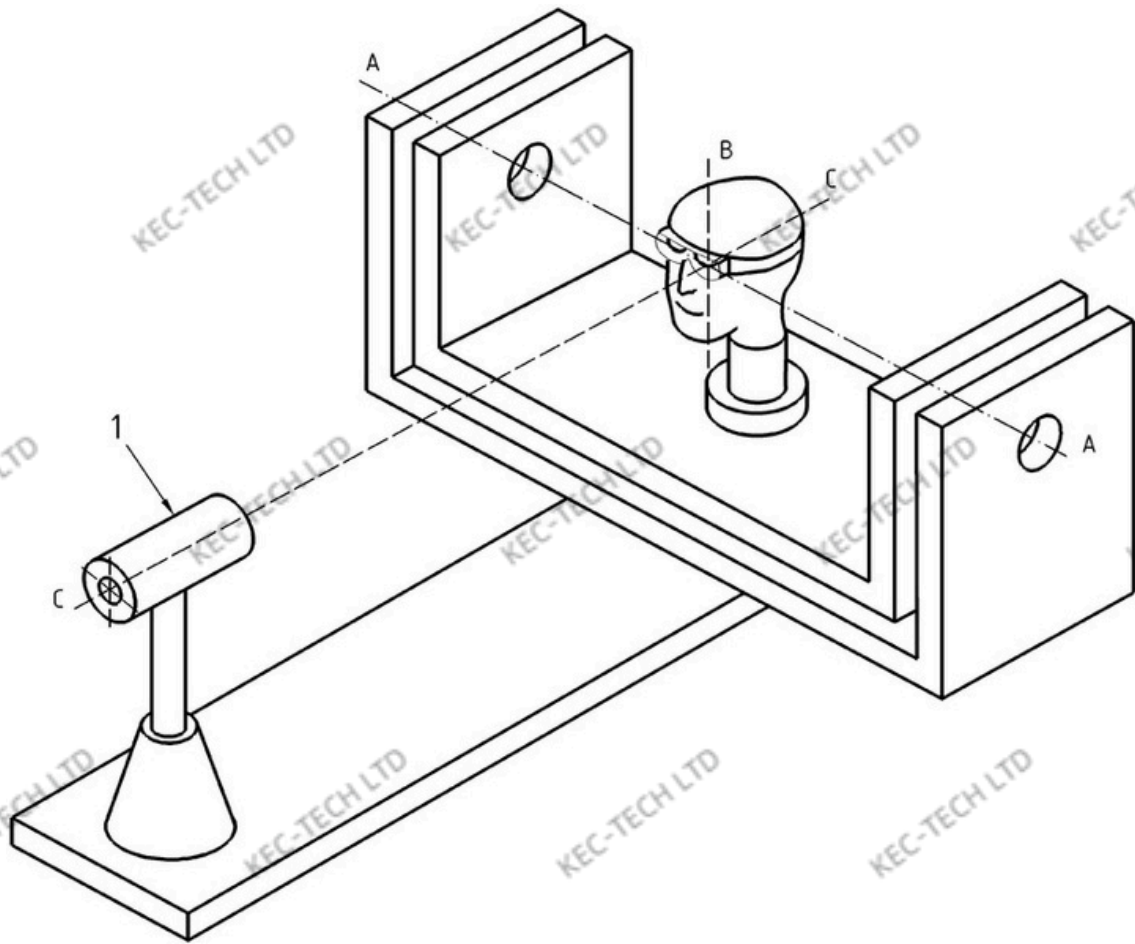


SHENZHEN CTG TESTING CO.,LTD.

Add:3/f, Yongxing Plastic Plant, No.11. Waihuan Road, Shiyan Street, Bao'an District Shenzhen, Guangdong, china

Email:services@ctg-cert.com

Website:www.ctg-cert.com



SHENZHEN CTG TESTING CO.,LTD.

Add:3/f, Yongxing Plastic Plant, No.11, Waihuan Road, Shiyan Street, Bao'an District Shenzhen, Guangdong, china

Email:services@ctg-cert.com

Website:www.ctg-cert.com

EUT Photos

Photo Appearance of EUT



SHENZHEN CTG TESTING CO.,LTD.

Address: Yongxing Plastic Plant, No.11, Waiwan Road, Qiyun Street, Bao'an District Shenzhen, Guangdong, China
Email: services@ctg-cert.com Website: www.ctg-cert.com



SHENZHEN CTG TESTING CO.,LTD.

Add:3/f, Yongxing Plastic Plant, No.11. Waihuan Road, Shiyan Street, Bao'an District Shenzhen, Guangdong, china

Email:services@ctg-cert.com

Website:www.ctg-cert.com



SHENZHEN CTG TESTING CO.,LTD.

Add: 3/F, Yongfeng Plastic Plant, No.11, Weihuan Road, Qiyun Street, Bao'an District Shenzhen, Guangdong, China
Email: services@ctg-cert.com Website: www.ctg-cert.com



SHENZHEN CTG TESTING CO.,LTD.

Add: 3/F, Yongfeng Plastic Plant, No.11, Weihuan Road, Qiyun Street, Bao'an District Shenzhen, Guangdong, China
Email: services@ctg-cert.com Website: www.ctg-cert.com



END OF REPORT

lczTUG1

piycluR



SHENZHEN CTG TESTING CO.,LTD.

Address: Yongfeng Plastic Plant, No.11, Weihuan Road, Qiyun Street, Bao'an District Shenzhen, Guangdong, China
Email: services@ctg-cert.com Website: www.ctg-cert.com